

Tubular Components for Construction Equipments



About Us:

Mfab Tech Pvt. Ltd., incorporated in 2012 has been catering the need of complex tubular bend components for the construction machineries industry with consistent product quality and cost advantage.

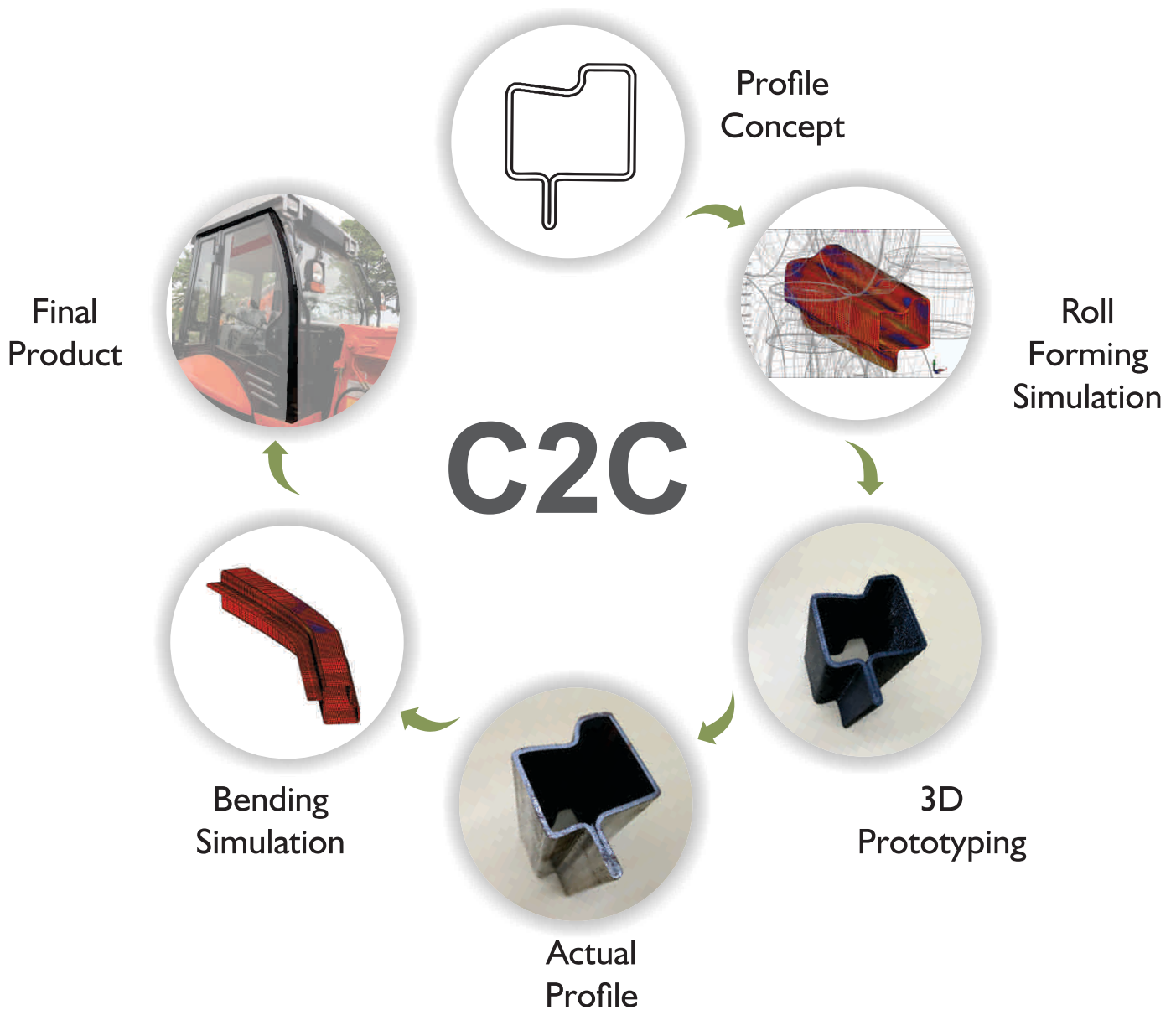
With the state of the art machineries, skilled manpower and Quality Management systems in place, Mfab Tech has successfully developed complex components that meets the requirements of OEMs which were imported earlier.

Mfab Tech has proven that DEVELOP AND MAKE IN INDIA is a reality.



Concept to Component

The unique business model of Mfab Tech has a single window system for its customer to conceptualise the complex tubular cross section, verify the formability with state of the art FEA software, prototype with 3D printing, simulate bending even before the tools are manufactured to save time effort and money. Once the feasibility is established Mfab owns to complete responsibility to develop the complex tubular cross section, bend to the desired shape, perform complex end cuts, fabricate and finish with CED or powder coating.



A-PILLAR

NOW MADE AT MFA3

Our motto; *Passion to make it happen* fits right to the Construction equipment industry as Mfab has proved that it can develop parts that were being imported. The experienced design and quality team ensures the OEMs get the best out of localisation

Multiple radius tangential bends

R40 to R9000

A-Class component with improved aesthetic look

Material and shapes to meet ROPS standards



A Pillar Profile & Shape can be customised as per customer requirement



B-PILLAR

MFAB's IDEAS TO ADD STRENGTH

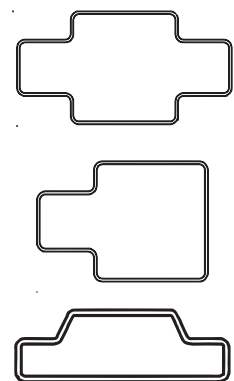
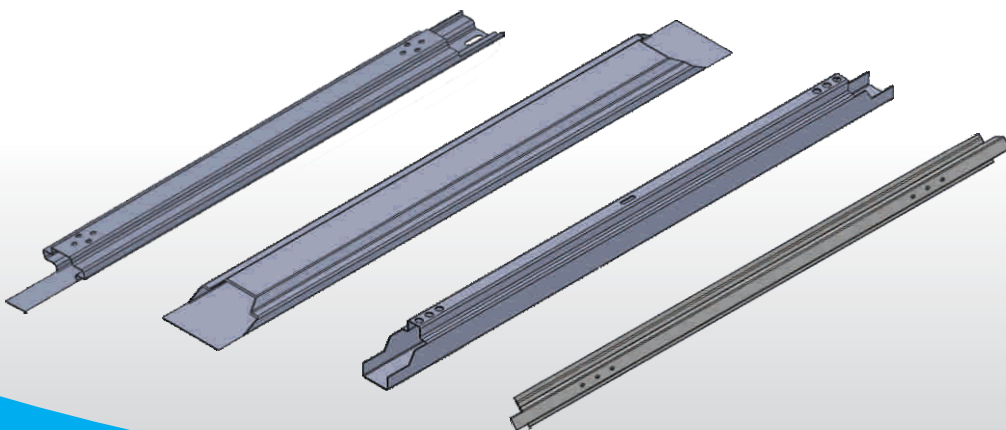
Mfab looks at every opportunity to improve the design of the components and has taken initiative to develop parts that are economical and can substitute the existing part without impact on the overall fitment and performance of the equipment

Multiple part into a single component

Customised shapes to fit the existing design

Improved Cabin strength

B Pillar profile with drilling, end cuts, ready-to-fit hinges assembly as per customer requirement



HAND RAILS

MFAB ENSURES STRENGTH TO GRAB WITH CONFIDENCE

Process improvement to provide features that would improve the performance of the component is always the top priority. Mfab is always keen to understand the performance of the component they supply.

Connecting areas with fracture free forming

Complex 3D bend

Curvatures to match Cabin aesthetics

Ready to use



Hand Rails with complex bends, drilling, end cuts, ready-to-fit assembly as per customer requirement



Fracture-free forming



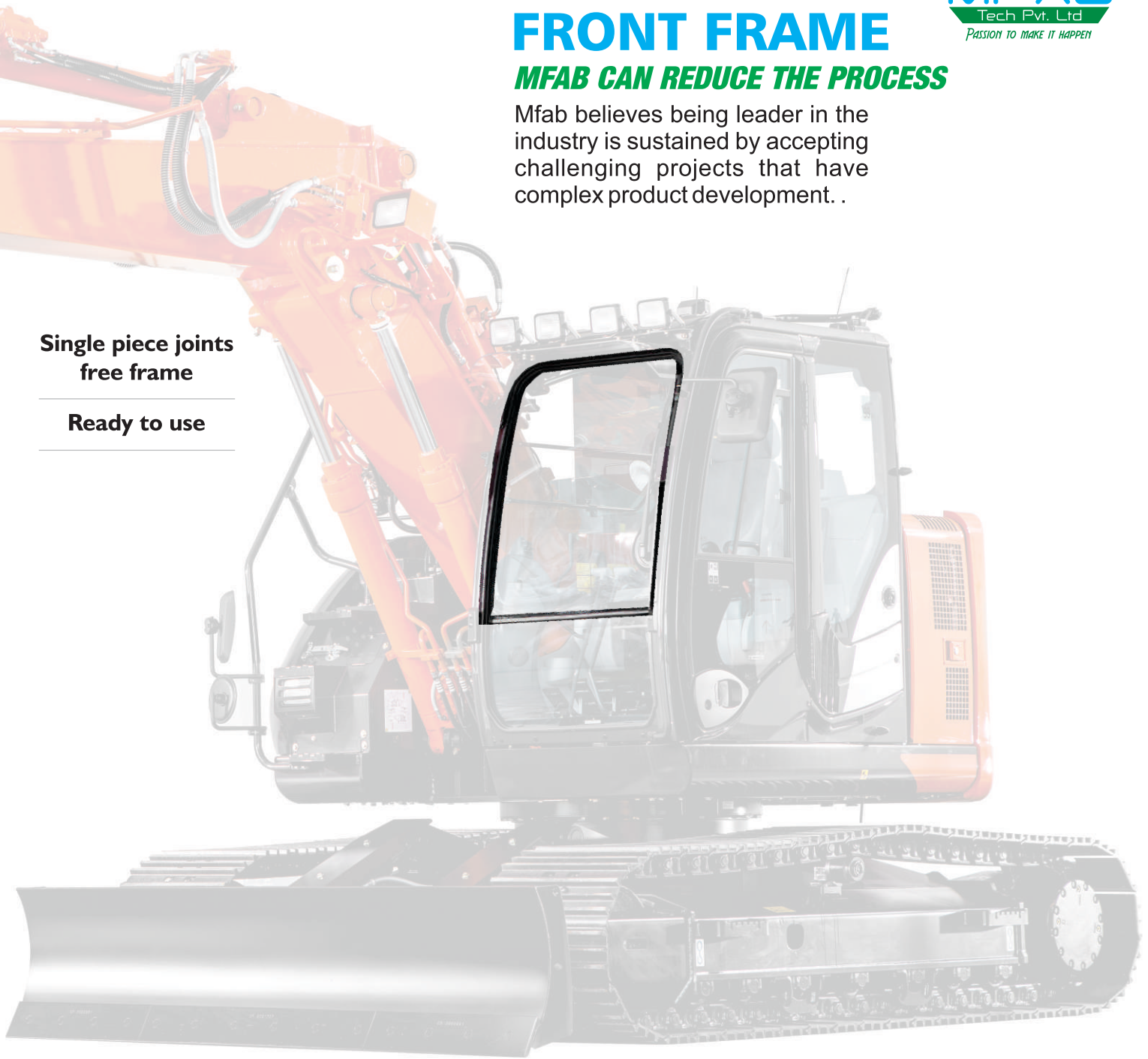
FRONT FRAME

MFAB CAN REDUCE THE PROCESS

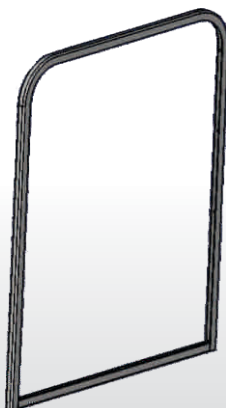
Mfab believes being leader in the industry is sustained by accepting challenging projects that have complex product development. .

Single piece joints
free frame

Ready to use



Front frame
component



LIFTING HOOKS

DEVELOPED AT MFAB

Single piece Joint free
complex 3D bend

Multi radius bends in a
single piece

Ready to use



Major industries we work with



Construction
Equipments



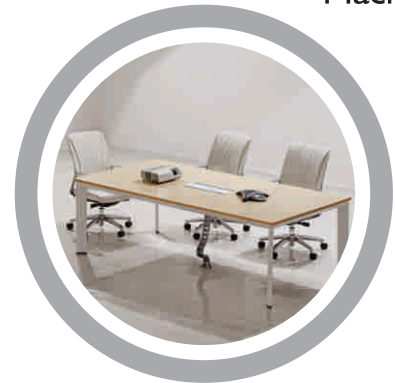
Pre-Engineered
Building



Textile
Machinery



Commercial
Vehicle



Furniture



Electric Vehicle



Retail
Racking



Agricultural
Greenhouse



Mfab Tech Private Limited

No. 279, 280, 282 & 283, Sub layout Kachanayakanahally,
Phase 1, Bommsandra, Bangalore 560 105

Land line : 97418 31003 Mob: 9686822005 Email: info@mfabtech.com